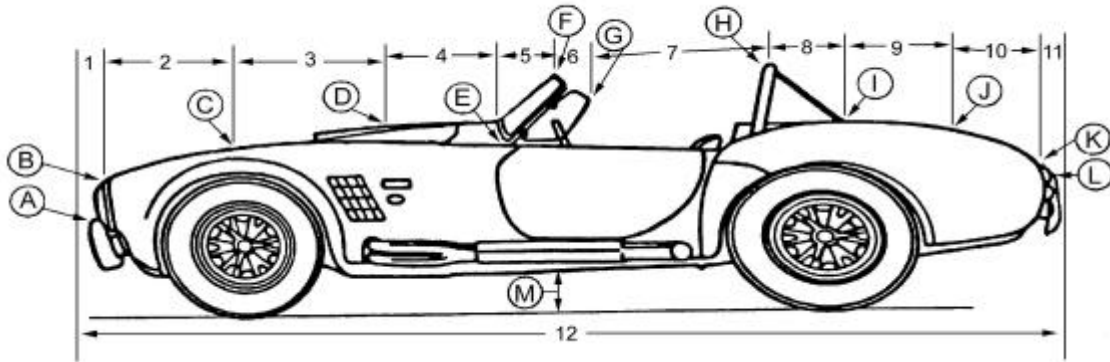


DIMENSION SHEET - COBRA



Lengths - Measured Horizontally

- # 1 Corner of front bumper to front of hood _____
- # 2 Front of hood to midpoint of front wheel _____
- # 3 Midpoint of front wheel to point "D" _____
- # 4 Point "D" to base of windshield _____
- # 5 Base of windshield to top of windshield _____
- # 6 Top of windshield to rear edge of wind wings _____
- # 7 End of wind wings to roll bar _____
- # 8 Top of roll bar to base of roll bar support _____
- # 9 Roll bar support to point "J" _____
- # 10 Mid-point of trunk (J) to end of trunk _____
- # 11 End of trunk to end of bumper or nerf bar _____
- Total _____
- # 12 Overall length of pickup at corner of bumpers _____

Heights - Measured from Ground

- HA Height at "A" _____
- HB Height at "B" _____
- HC Height at "C" _____
- HD Height at "D" _____
- HE Height at "E" _____
- HF Height at "F" _____
- HG Height at "G" _____
- HH Height at "H" _____
- HI Height at "I" _____
- HJ Height at "J" _____
- HK Height at "K" _____
- HL Height at "L" _____
- HM Height at "M" _____

If you have measured correctly, the total of # 1 through # 11 should be the same as # 12.

Widths, Measured Side to Side at Points Shown

- | | |
|---|---|
| WA Width across front of car at point "A" _____ | WG Width across wind wings _____ |
| WB Width across nose of hood at point "B" _____ | WH Width across top of roll bar _____ |
| WC Width across hood at point "C" _____ | WI Width across trunk at point "I" _____ |
| WD Width across hood at point "D" _____ | WJ Width across trunk at point "J" _____ |
| WE Width across hood at base of windshield _____ | WK Width across rear of trunk _____ |
| WF Width across top of windshield _____ | WL Width of car at rear _____ |

Vehicle Information

A photo of the vehicle will help us make the pattern. The photo can be returned if requested.

MAKE _____
 MODEL _____
 YEAR _____
 NAME _____
 Daytime phone _____
 Date of order _____

DIMS 123 (12/99)