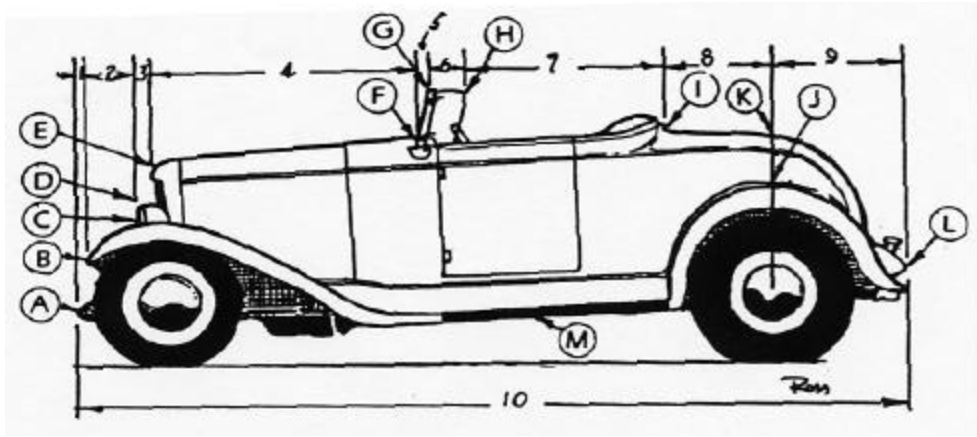


1932 Ford  
Roadster  
No top,  
no bumpers,  
with fenders



**Lengths - Measured Horizontally**

- # 1 Front of car to front of fender \_\_\_\_\_
- # 2 Front of fender to front of headlight \_\_\_\_\_
- # 3 Front of headlight to front of hood \_\_\_\_\_
- # 4 Front of hood to base of windshield \_\_\_\_\_
- # 5 Base of windshield to front of roof \_\_\_\_\_
- # 6 Front of roof to rear of wind wing \_\_\_\_\_
- # 7 Rear of wind wing to front of trunk \_\_\_\_\_
- # 8 Front of trunk to center of rear axle \_\_\_\_\_
- # 9 Center of rear axle to rear of car \_\_\_\_\_
- # 10 Overall length of car, front to rear \_\_\_\_\_

**If you have measured correctly, the sum of # 1 through # 9 should equal # 10.**

**Heights - Measured from Ground**

- HA Height at front of car \_\_\_\_\_
- HB Height at front of fender \_\_\_\_\_
- HC Height at top of front fender \_\_\_\_\_
- HD Height at top of headlight \_\_\_\_\_
- HE Height at front of hood \_\_\_\_\_
- HF Height at base of windshield \_\_\_\_\_
- HG Height at front of roof \_\_\_\_\_
- HH Height at rear of wind wing \_\_\_\_\_
- HI Height at front of trunk \_\_\_\_\_
- HJ Height of rear fender \_\_\_\_\_
- HK Height of trunk at point "K" \_\_\_\_\_
- HL Height at rear of car \_\_\_\_\_
- HM Road clearance \_\_\_\_\_

**Widths, Measured Side to Side at Points Shown**

- WA Width of car at front \_\_\_\_\_
- WB Width across front fenders \_\_\_\_\_
- WC Width of car at top of fenders \_\_\_\_\_
- WD Width of car at top of headlights \_\_\_\_\_
- WE Width of car at front of hood \_\_\_\_\_
- WF Width of hood at windshield \_\_\_\_\_
- WG Width of windshield at top \_\_\_\_\_
- WH Width at rear of wind wings \_\_\_\_\_
- WI Width of trunk at front \_\_\_\_\_
- WJ Width of car at center of rear axle \_\_\_\_\_
- WK Width of car across trunk at "K" \_\_\_\_\_
- WL Width of car at rear \_\_\_\_\_

**Vehicle Information**

A photo of the vehicle will help us make the pattern. The photo can be returned if requested.

YEAR \_\_\_\_\_ MAKE \_\_\_\_\_

MODEL \_\_\_\_\_ BODY STYLE \_\_\_\_\_

Name \_\_\_\_\_

Daytime phone \_\_\_\_\_

Date of order \_\_\_\_\_

DIMS 176 (3/03)