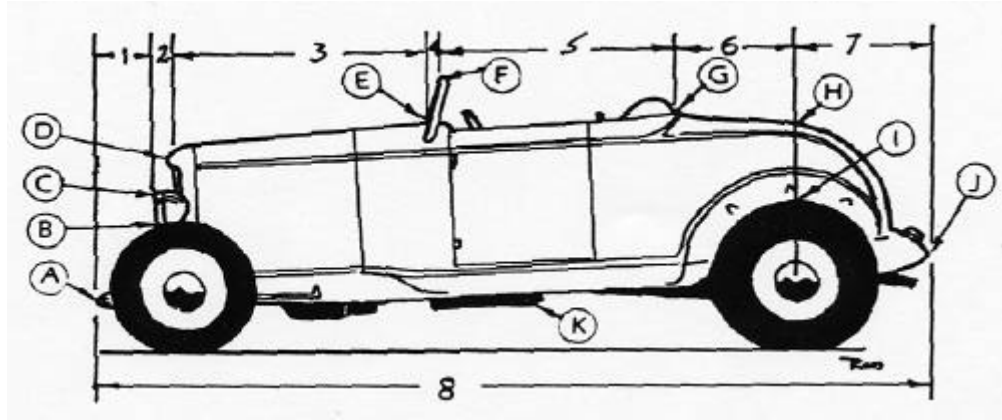


1932 Ford
Roadster
no bumpers
or fenders



Lengths - Measured Horizontally		Heights - Measured from Ground	
# 1	Front of car to front of headlight _____	HA	Height at front of car _____
# 2	Front of headlight to front of hood _____	HB	Height at top of front tire _____
# 3	Front of hood to base of windshield _____	HC	Height at top of headlights _____
# 4	Base of windshield to top of windshield _____	HD	Height at front of hood _____
# 5	Top of windshield to front of trunk _____	HE	Height at base of windshield _____
# 6	Front of trunk to center of rear axle _____	HF	Height at top of windshield _____
# 7	Center of rear axle to rear of car _____	HG	Height at front of trunk _____
# 8	Overall length of car, front to rear _____	HH	Ht of trunk at center rear axle _____
If you have measured correctly, the sum of # 1		HI	Height of rear tire _____
through # 7 should equal # 8.		HJ	Height at rear of car _____
		HK	Road clearance _____

Widths, Measured Side to Side at Points Shown

WA	Width of car at front _____	WF	Width of windshield at top _____
WB	Width of car at front tires _____	WG	Width of trunk at front _____
WC	Width of car across headlights _____	WH	Width of trunk at point "H" _____
WD	Width of car at front hood _____	WI	Width of car at rear tires _____
WE	Width of car at base of windshield _____	WJ	Width of car at rear _____

Vehicle Information

A photo of the vehicle will help us make the pattern. The photo can be returned if requested.

YEAR _____ MAKE _____

MODEL _____ BODY STYLE _____

Name _____

Daytime phone _____

Date of order _____

DIMS 179 (3/03)

TJ CARS

SEND TO: email: info@go-ab.com or fax: (530) 589-2510

4619 Olive Hwy. Oroville, CA 95966 1(800) 982-6966