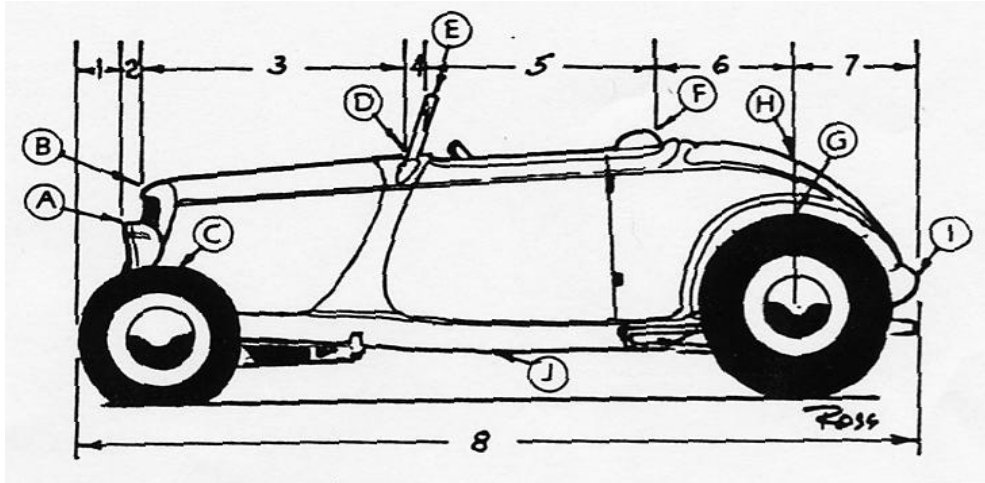




1934 Ford  
Roadster  
no bumpers,  
no fenders,  
no top



**Lengths - Measured Horizontally**

- # 1 Front of car to front of headlight \_\_\_\_\_
- # 2 Front of headlight to front of hood \_\_\_\_\_
- # 3 Front of hood to base of windshield \_\_\_\_\_
- # 4 Base of windshield to top of windshield \_\_\_\_\_
- # 5 Top of windshield to front of trunk \_\_\_\_\_
- # 6 Front of trunk to center of rear axle \_\_\_\_\_
- # 7 Center of rear axle to rear of car \_\_\_\_\_
- # 8 Overall length of car, front to rear \_\_\_\_\_

**If you have measured correctly, the sum of # 1 through # 7 should equal # 8.**

**Heights - Measured from Ground**

- HA Height at top of headlights \_\_\_\_\_
- HB Height at top of hood \_\_\_\_\_
- HC Height at top of front tire \_\_\_\_\_
- HD Height at base of windshield \_\_\_\_\_
- HE Height at top of windshield \_\_\_\_\_
- HF Height at front of trunk \_\_\_\_\_
- HG Height of rear tire at rear axle \_\_\_\_\_
- HH Height of trunk at rear axle \_\_\_\_\_
- HI Height of car at rear \_\_\_\_\_
- HJ Road clearance \_\_\_\_\_

**Widths, Measured Side to Side at Points Shown**

- WA Width across front headlights \_\_\_\_\_
- WB Width of hood at front \_\_\_\_\_
- WC Width across front tires \_\_\_\_\_
- WD Width of car at base of windshield \_\_\_\_\_
- WE Width of roof at front \_\_\_\_\_
- WF Width of roof at rear \_\_\_\_\_
- WG Width at base of rear window \_\_\_\_\_
- WH Width of car across rear tires \_\_\_\_\_
- WI Width of trunk at point "I" \_\_\_\_\_
- WJ Width of car at rear \_\_\_\_\_

**Vehicle Information**

A photo of the vehicle will help us make the pattern. The photo can be returned if requested.

YEAR \_\_\_\_\_ MAKE \_\_\_\_\_

MODEL \_\_\_\_\_ BODY STYLE \_\_\_\_\_

Name \_\_\_\_\_

Daytime phone \_\_\_\_\_

Date of order \_\_\_\_\_

DIMS 183 (3/03)

**TJ CARS**

**SEND TO:** email: [info@go-ab.com](mailto:info@go-ab.com) or fax: (530) 589-2510

4619 Olive Hwy. Oroville, CA 95966 • 1(800) 982-6966