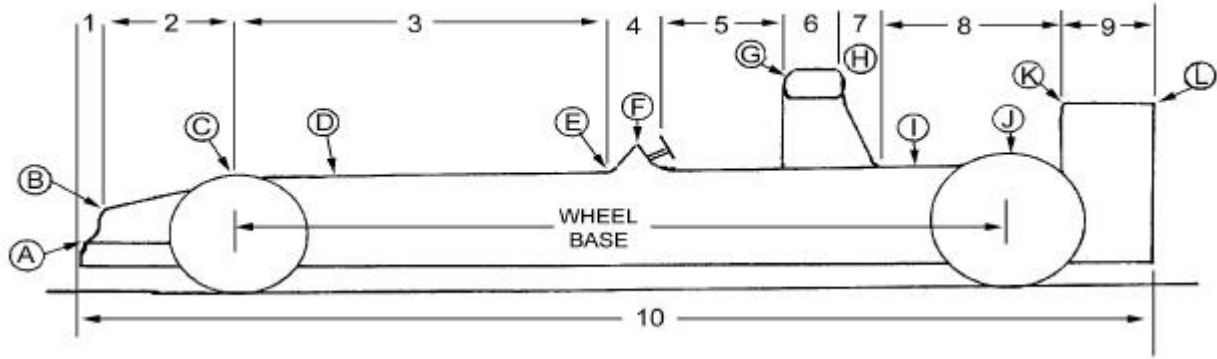


**DIMENSION SHEET - FORMULA / INDY RACE CAR**


<b>Lengths - Measured Horizontally</b>		<b>Heights - Measured from Ground</b>	
# 1	Front of wing to front of nose	A	Height of front wing
# 2	Front of nose to center of wheel	B	Height of front nose
# 3	Center of wheel to front of windscreen	C	Height of front tire
# 4	Front of windscreen to steering wheel	D	Height of body
# 5	Steering wheel to air intake	E	Height of body at windscreen
# 6	Front of air intake to rear of intake	F	Height at top of windscreen
# 7	Rear of air intake to base of intake	G	Height of air intake at front
# 8	Base of intake to front of rear wing	H	Height of air intake at rear
# 9	Front of rear wing to rear of rear wing	I	Height of body at point "I"
	Total	J	Height of rear tire
# 10	Overall length	K	Height of rear wing at front
		L	Height of rear wing at rear

**If you have measured correctly, the total of # 1 through # 9 should be the same as # 10.**

Wheel base of vehicle - center of front wheel to center of rear wheel \_\_\_\_\_

**Widths, Measured Side to Side at Points Shown**

A	Width of front wing	G	Width at front of air intake
B	Width of front nose	H	Width at rear of air intake
C	Width across front tires	I	Width of body at point "I"
D	Width across top of body at point "D"	J	Width across rear tires
E	Width of body at windscreen	K	Width across front of rear wing
F	Width at top of windscreen	L	Width across rear of rear wing

**Vehicle Information**

A photo of the vehicle will help us make the pattern. The photo can be returned if requested.

MAKE \_\_\_\_\_  
 MODEL \_\_\_\_\_  
 YEAR \_\_\_\_\_  
 NAME \_\_\_\_\_  
 Daytime phone \_\_\_\_\_  
 Date of order \_\_\_\_\_