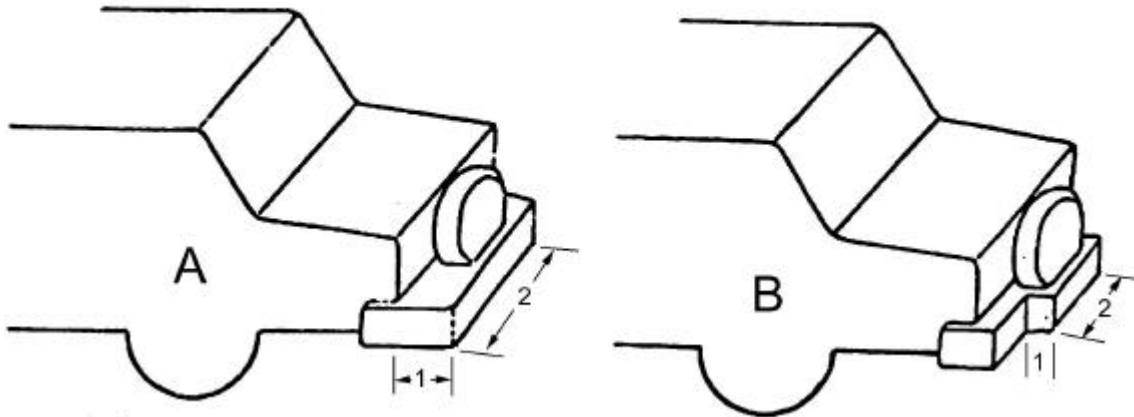


DIMENSION SHEET - CONTINENTAL KIT



There are two styles of continental kits, one where the rear bumper has been extended over its full width (style "A"), and the other, where the bumper has been extended at the area of the continental kit only (style "B").

**Please indicate which style of continental kit is on the vehicle** \_\_\_\_\_

In some continental kits the top of the tire extends above the top of the trunk.

**Please note the distance the tire extends above the top of the trunk (inches)** \_\_\_\_\_  
( If the tire is even with the top of the trunk, or below it, enter "0" )

Measure the vehicle for dimensions "1" and "2" shown in the drawings above (depending on which style of continental kit is being used.

"1" \_\_\_\_\_

"2" \_\_\_\_\_

Year of Vehicle \_\_\_\_\_

Make \_\_\_\_\_

Model or Series \_\_\_\_\_

Body Style \_\_\_\_\_

Name \_\_\_\_\_

Daytime phone \_\_\_\_\_

Date of Order \_\_\_\_\_

DIMS 195 (12/99)

**TJ CARS**

**SEND TO:** email: [info@go-ab.com](mailto:info@go-ab.com) or fax: (530) 589-2510

4619 Olive Hwy. Oroville, CA 95966 1(800) 982-6966