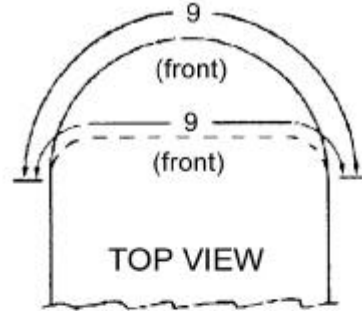
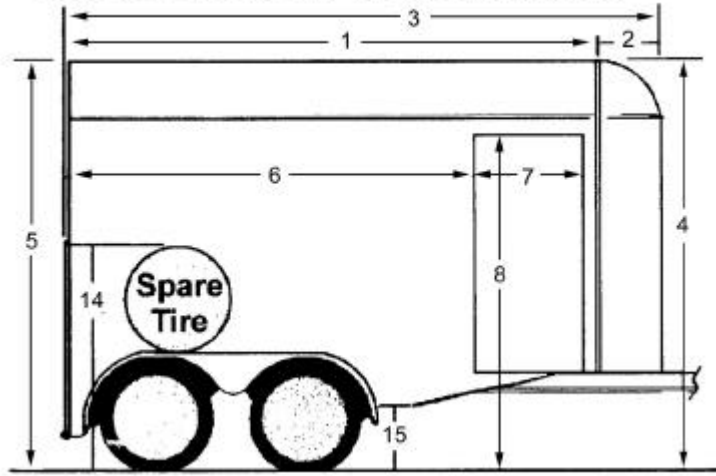




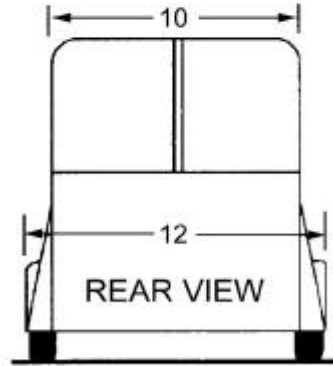
**TJ CARS**

Custom Car Covers

**DIMENSION SHEET - HORSE TRAILER**



TOP VIEW



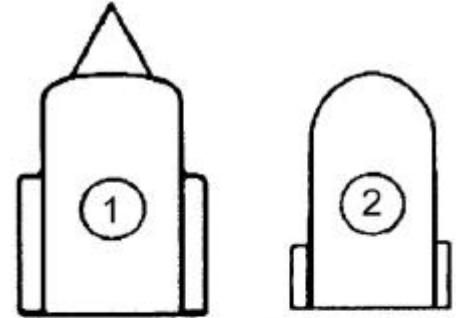
REAR VIEW

- 1 Distance from rear of trailer to seam \_\_\_\_\_
- 2 Distance from seam to front of trailer \_\_\_\_\_
- 3 Overall length, front to rear \_\_\_\_\_
- 4 Ground to top of roof at front \_\_\_\_\_
- 5 Ground to top of roof at rear \_\_\_\_\_

NOTE: All measurements, except # 9, are taken on a straight horizontal

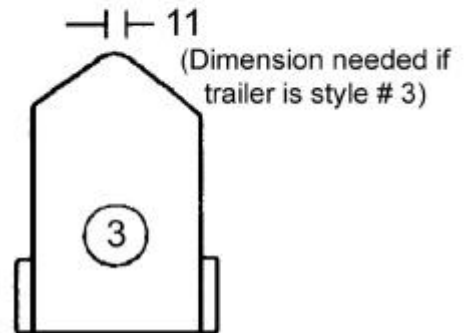
Complete 6, 7 and 8 if ordering a zippered door.

- 6 Distance from rear of trailer to door \_\_\_\_\_
- 7 Door width (Note which side of trailer the door is on) \_\_\_\_\_
- 8 Ground to top of door \_\_\_\_\_
- 9 Distance from seam on one side, around the front to the seam on the other side. \_\_\_\_\_
- 10 Width of body, NOT including the fenders \_\_\_\_\_
- 11 Width of body at front, if trailer is style # 3 (at right) \_\_\_\_\_
- 12 Overall width at rear, including fenders \_\_\_\_\_
- 13 If trailer is style # 3, height of top at front from ground \_\_\_\_\_
- 14 If trailer has a spare, height to top from ground \_\_\_\_\_
- 15 Ground clearance \_\_\_\_\_



**Top Views of Different Styles**

Check the style that corresponds to this trailer.



Make of Trailer \_\_\_\_\_

Model \_\_\_\_\_ Style (at right) \_\_\_\_\_

Year \_\_\_\_\_

NAME \_\_\_\_\_

Daytime phone \_\_\_\_\_

Date of order \_\_\_\_\_

DIMS 207 (12/99)

**TJ CARS**

SEND TO: email: info@go-ab.com or fax: (530) 589-2510

4619 Olive Hwy. Oroville, CA 95966 1(800) 982-6966