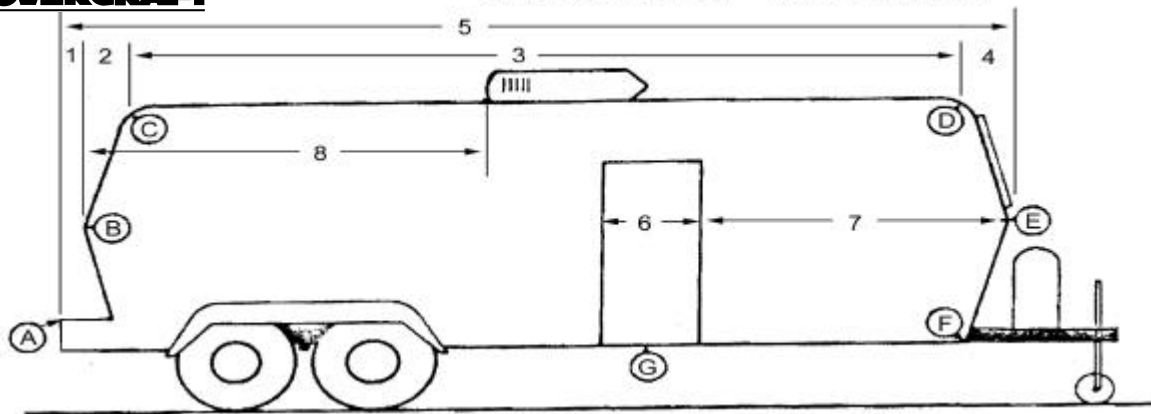




DIMENSION SHEET - TRAVEL TRAILER



- Lengths - Measured Horizontally**
- # 1 Rear bumper to rear of trailer _____
 - # 2 Rear of trailer to rear of roof _____
 - # 3 Rear of roof to front of roof _____
 - # 4 Front of roof to front of trailer _____
 - Total _____
 - # 5 Overall length, front to rear _____

- Heights - Measured from Ground**
- A Height at rear bumper _____
 - B Height at point "B" _____
 - C Height of roof at rear _____
 - D Height of roof at front _____
 - E Height at point "E" _____
 - F Height at tongue _____
 - G Road clearance _____

If you have measured correctly, the total of # 1 through # 4 should be the same as # 5.

- # 6 Door width _____
- # 7 Trailer front to front edge of door _____
- # 8 Rear of trailer to pod or AC _____

Widths, Measured Side to Side at Points Shown

- A Width at rear bumper _____
- B Width of body at point "B" _____
- C Width of roof at rear _____
- D Width of roof at front _____
- E Width at front nose _____

Travel Trailer Information

- 1 Do you have an awning? _____ How far does it extend out from the side (closed) _____
Driver or passenger side? _____
- 2 Do you have a 2nd AC or pod? _____ Measure the distance between the two _____

A photo of the trailer will help us make the pattern. The photo can be returned if requested.

MAKE _____

MODEL _____

YEAR _____

NAME _____

Daytime phone _____

Date of order _____